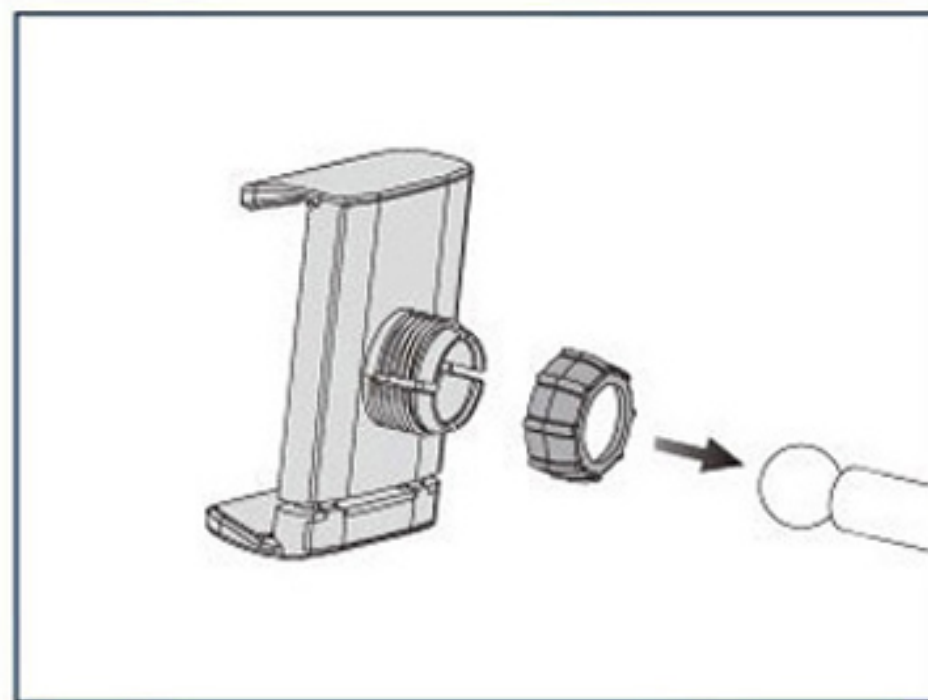


**1. Adjust height of clamp then rotate clockwise to fasten.**



**2. Slide screw cap over ball-joint head. Insert ball-joint head into holder socket. Fasten screw cap.**